

51 SERIES

FIRE HYDRANT GATE VALVES

Specification:

- A range of 65mm nominal bore valves.
- Designed and constructed in accordance with BS5041 Part 2.
- Valve Bodies and internals designed for PN20 bar working pressure.
- Pressure rating of individual valves is dependent on inlet and outlet connections.

Range:

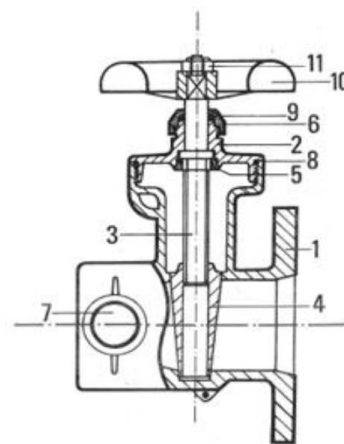
- Horizontal configuration with connections to suit customer requirements. (Flanged, screwed or other national or international standard).

Features:

- Compact design with excellent flow characteristics.
- Metal to metal wedge seating designed for optimum sealing and release characteristics.
- Non-rising stem with robust heavy duty stub Acme thread.
- Facility to change the control spindle gland seal with the valve in situ while still maintaining shut off.
- Standard 'O' ring seals easily replaced using standard tools.
- Supplied with a pressure relief vented blank plug and chain.
- Provision for fitting a strap and padlock to prevent unauthorised use.

Quality:

- Made from corrosion resistant materials for long life and reliable operation.
- Quality control throughout manufacture to ISO 9001 : 2015.
- Hydrostatically tested in accordance with BS 5041 Part 2 Appendix A Clauses A1 and A2.



ITEM	DESCRIPTION	MATERIAL
1	Valve body	Leaded gunmetal BS1400 : LG2-C
2	Bonnet	Brass BS2872 : CZ122
3	Stem	Manganese bronze BS2874 : CZ114
4	Wedge	Leaded gunmetal BS1400 : LG2-C
5	Retaining Nut	Brass BS2874 : CZ121
6	Retaining Cap	Brass BS2874 : CZ121
7	Twist Release Mechanism	Brass
8	'O' Ring Seal	Nitrile P5 BS532
9	'O' Ring Seal	Nitrile P5 BS208
10	Handwheel	Cast iron
11	Hexagon Nylock Nut	Stainless steel A2
12	Blank Plug	To BS336 (not shown)



51 SERIES

FIRE HYDRANT GATE VALVES

Connections:

- Inlet and outlet connections
 - » Flanged
 - > BS10
 - > BS4504 (EN1092-1)
 - > ASME (ANSI) B16.24 and B16.5 – Class 150 & Class 300
 - > JIS
 - » Threaded
 - > BSP To BS21 (BS EN 10226) & BS2779 (BS EN ISO 228)
 - Male & Female
 - > N.H/NST (NFPA 1963) – Male & Female
 - > NPT (ANSI/ASME B1.20.1:1983) – Male & Female
 - » Other International Standards
 - > Storz
 - > Guillemin
 - > Russian GOST
 - > NOR 1
- Outlet only connections
 - » Instantaneous
 - > 65mm (2 1/2") Female – BS336:2010
 - > 38mm (1 1/2") Female - FETA

Options:

- Leather straps and padlocks are available as optional extras.
- Blanking caps and plugs are available in a range of materials.
- Painting to customer specification (normally unpainted).
- Special handwheels (cast iron is supplied as standard).

